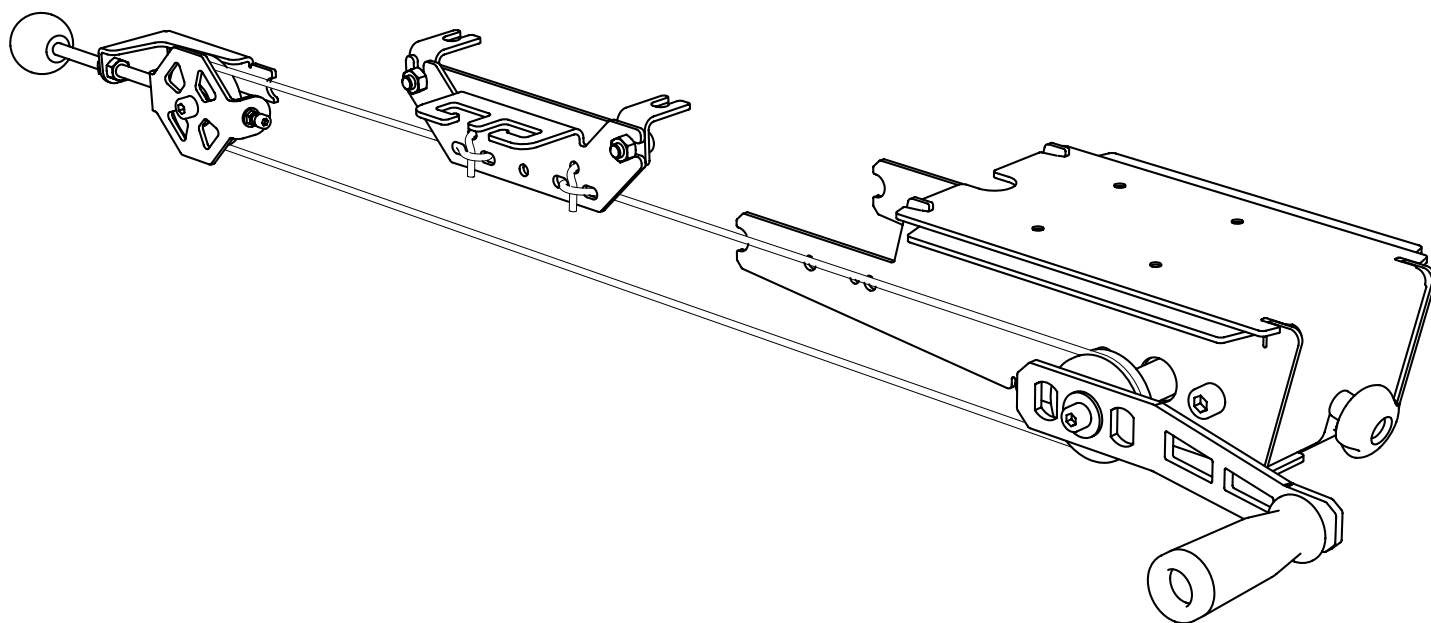


ASSEMBLY INSTRUCTIONS

Ref. no.: 0458-395-0201



MANUAL REMOTE FEEDING FOR SAW UNITS

THANK YOU FOR CHOOSING A LOGOSOL MACHINE!

We are very pleased that you have demonstrated your confidence in us by purchasing this machine, and we will do our utmost to meet your expectations.

Logosol has been manufacturing sawmills since 1989. In that time we have supplied approximately 50,000 machines to satisfied customers the world over.

We care about your safety as well as we want you to achieve the best possible results with your sawmill. We therefore recommend that you take the time to carefully read this user manual from cover to cover in peace and quiet before you begin using the saw. Remember that the machine itself is just part of the value of the product. Much of the value is also to be found in the expertise we pass on to you in the user manuals. It would be a pity if that were not utilised.

We hope you get a lot of satisfaction from the use of your new machine.

Bengt-Olov Byström

Bengt-Olov Byström
Founder and chairman,
Logosol in Härnösand, Sweden



Read through the user manual carefully and make sure you understand its contents before you use the machine.



This user manual contains important safety instructions.



WARNING! Incorrect use can result in serious or fatal injuries to the operator or others.



LOGOSOL continuously develops its products.
For this reason, we must reserve the right to modify
the configuration and design of our products.
Document: Logosol Manual Remote Feeding, User Manual
Manual, ref. no.: 0458-395-0201

Text:

Illustrations:

Last revised: June 2020






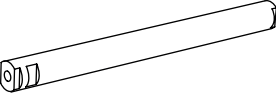
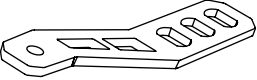
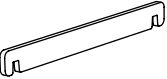
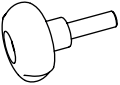
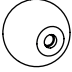
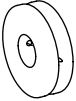
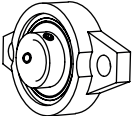
© 2020 LOGOSOL, Härnösand Sweden

#1

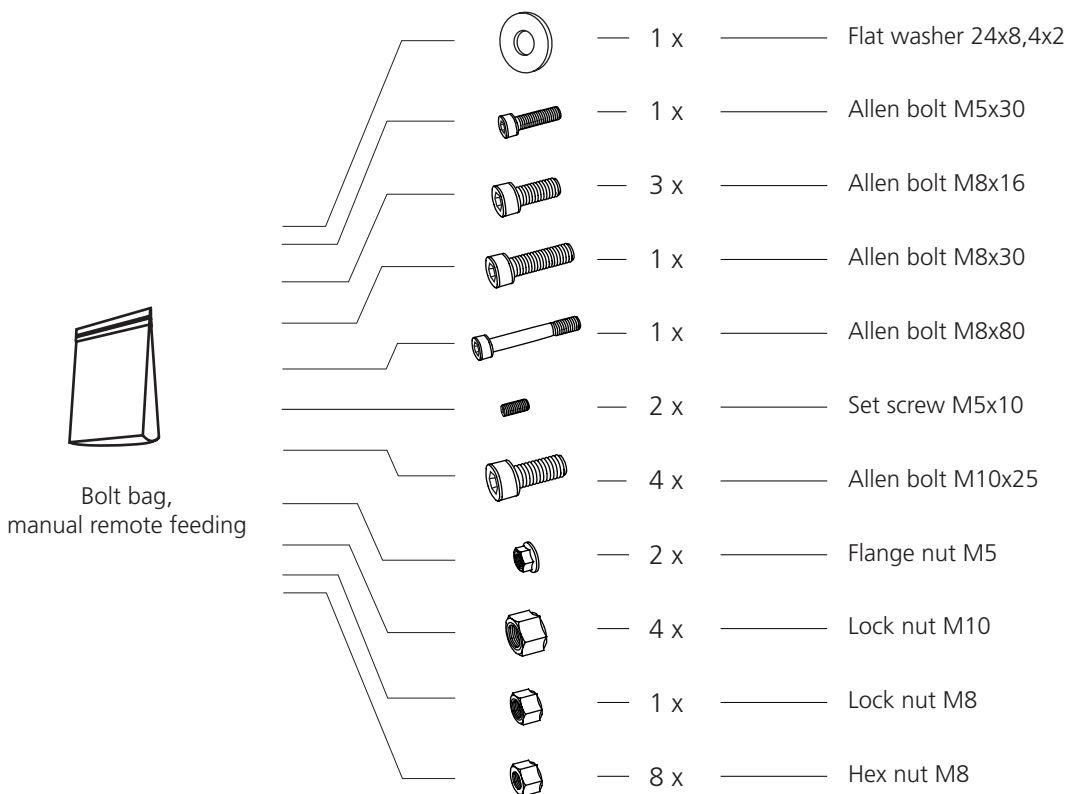
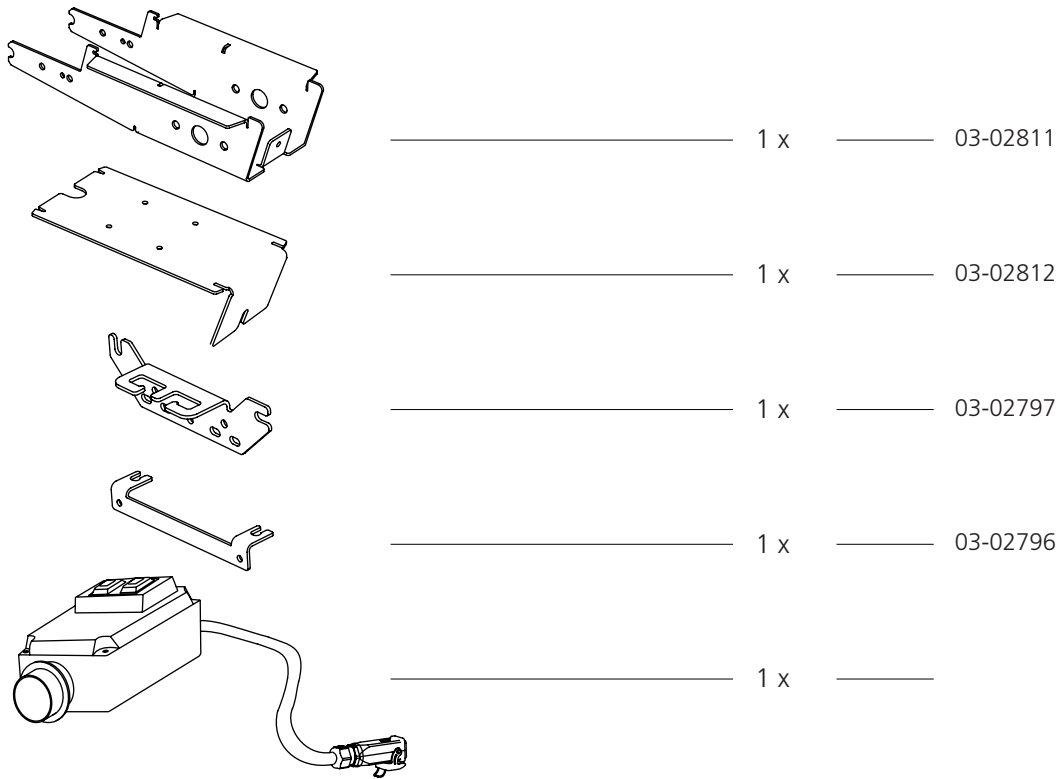
TABLE OF CONTENTS

Components	4
Bolt bags	5
Exploded view	6
Assembly: Manual remote feeding	7
Functions	11

COMPONENTS

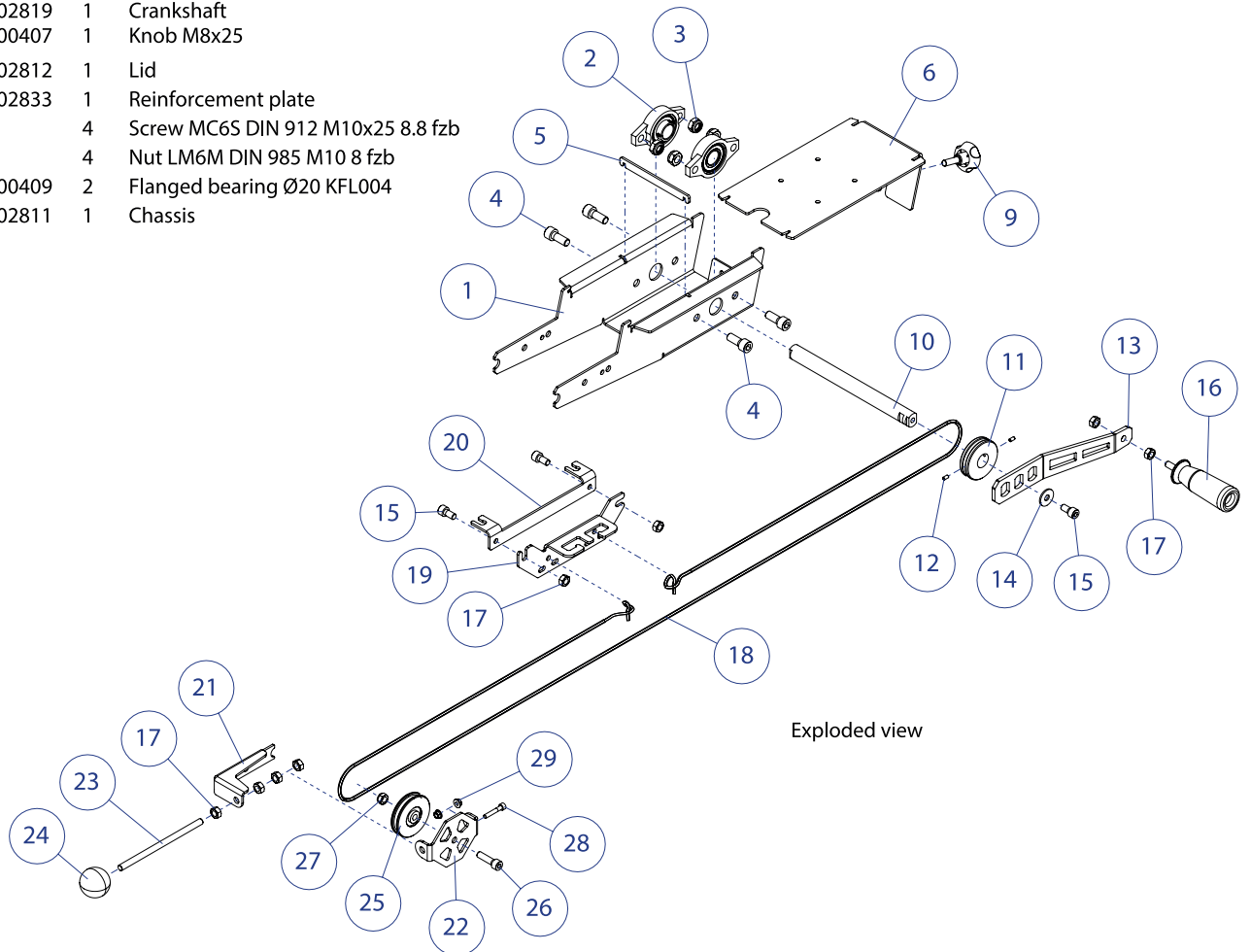
	_____	1 x	_____	03-02832
	_____	1 x	_____	03-02831
	_____	1 x	_____	04-00404
	_____	1 x	_____	DS-00169
	_____	1 x	_____	04-00405
	_____	1 x	_____	03-02819
	_____	1 x	_____	03-02813
	_____	1 x	_____	03-02833
	_____	1 x	_____	04-00407
	_____	1 x	_____	DK-00110
	_____	1 x	_____	03-02821
	_____	2 x	_____	04-00409

COMPONENTS



EXPLODED VIEW


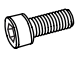


Item no.	Art.no.	Qty.	Description
29		2	Nut M6MF DIN 6923 M5 8 fzb
28		1	Screw MC6S DIN 912 M5x30 8.8 fzb
27		1	Nut LM6M DIN 985 M8 8 fzb
26		1	Screw MC6S DIN 912 M8x30 8.8 fzb
25	04-00404	1	Pulley (Ø60xØ8x16)
24	DK-00110	1	Endcap WN319 G32-M8
23	04-00405	1	Threaded rod M8x150 8.8 fzb
22	03-02831	1	Turn wheel plate
21	03-02832	1	Turn wheel bracket
20	03-02796	1	Bracket
19	03-02797	1	Cable & Wire mount
18	04-00406	1	Cable Ø4 stainless steel 16m
17		8	Nut M6M DIN 934 M8 8 fzb
16	DS-00169	1	Handle w.out end cap
15		3	Screw MC6S DIN 912 M8x16 8.8 fzb
14		1	Washer DIN 9021 Ø24xØ8,4x2 fzb
13	03-02813	1	Crank handle
12		2	Screw P6SS DIN 913 M4x8 8.8 fzb
11	03-02821	1	Pulley
10	03-02819	1	Crankshaft
9	04-00407	1	Knob M8x25
6	03-02812	1	Lid
5	03-02833	1	Reinforcement plate
4		4	Screw MC6S DIN 912 M10x25 8.8 fzb
3		4	Nut LM6M DIN 985 M10 8 fzb
2	04-00409	2	Flanged bearing Ø20 KFL004
1	03-02811	1	Chassis

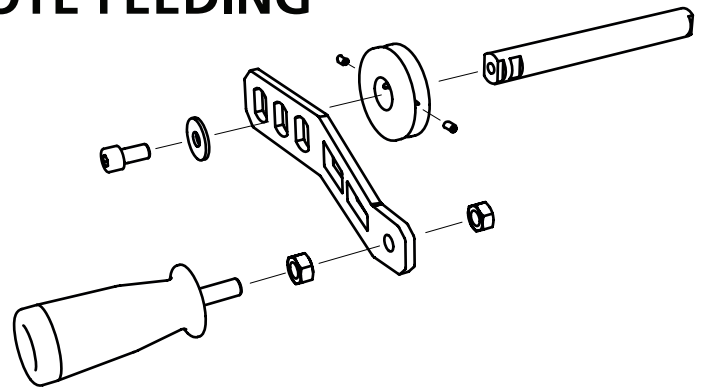







Exploded view

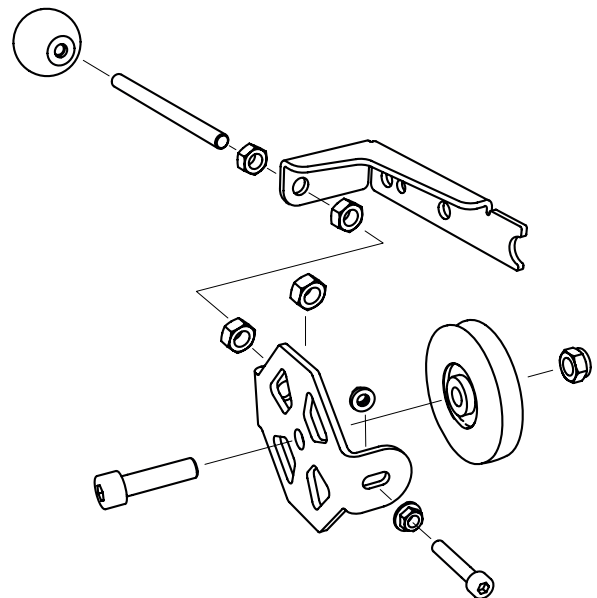
ASSEMBLY: MANUAL REMOTE FEEDING



1 Fit the handle to the pulley and the crank shaft.

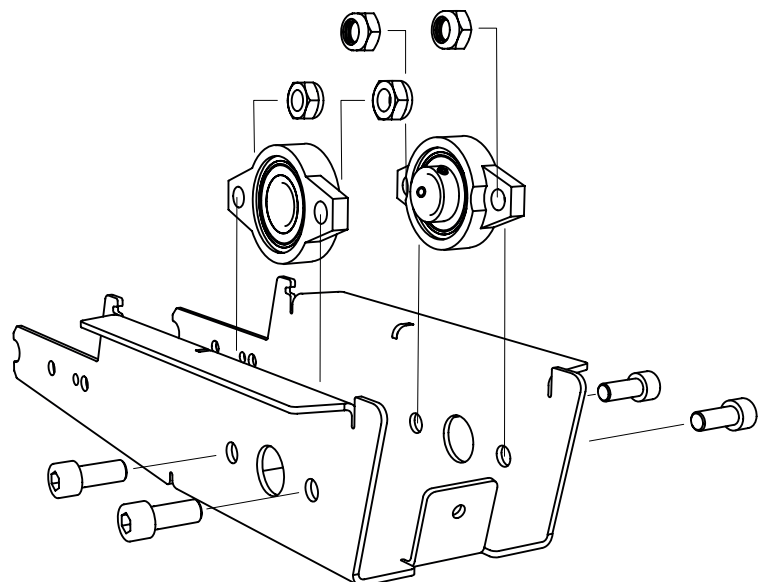
-  — 1 x — Flat washer 24x8,4x2
-  — 1 x — Allen bolt M8x16
-  — 3 x — Hex nut M8
-  — 2 x — Set screw M4x10



- 2**
-  — 1 x — Allen bolt M5x30
 -  — 1 x — Allen bolt M8x 30
 -  — 4 x — Hex nut M8
 -  — 1 x — Lock nut M8
 -  — 2 x — Flange nut M5

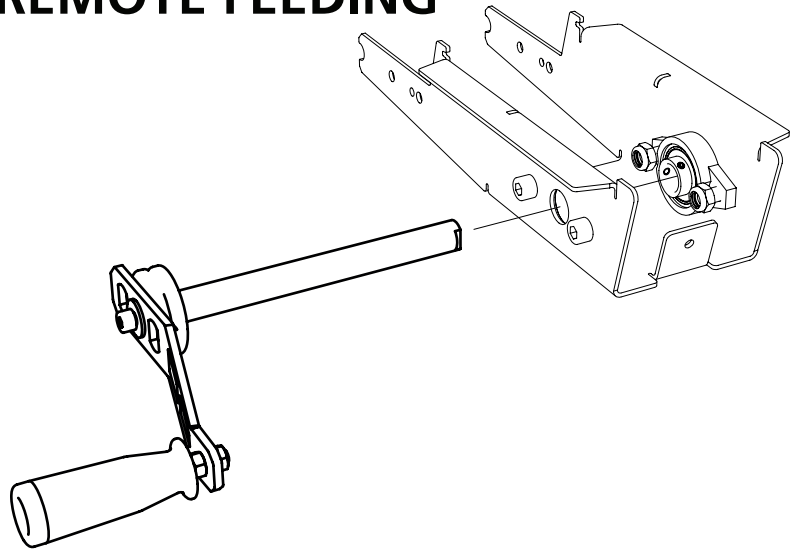
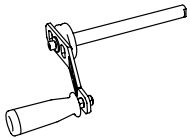


- 3**
-  — 4 x — Allen bolt M10x25
 -  — 4 x — Lock nut M10

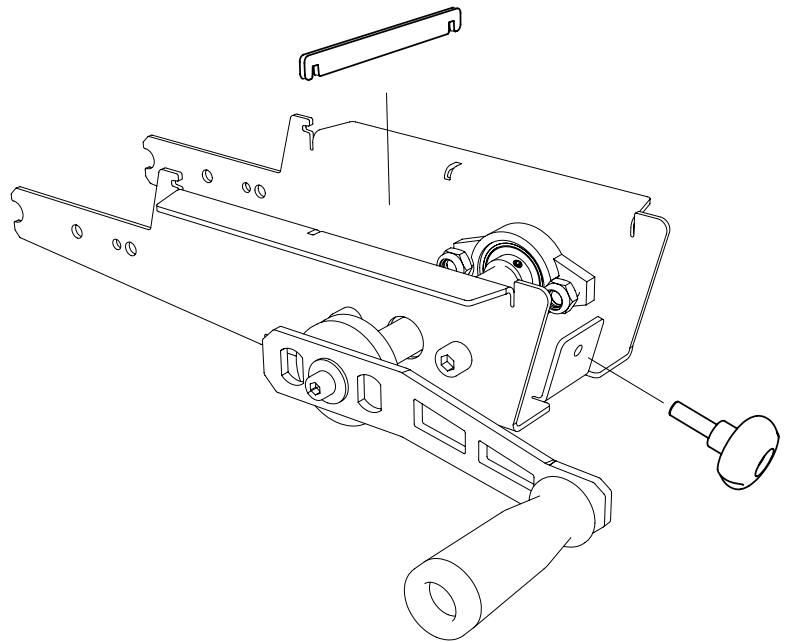
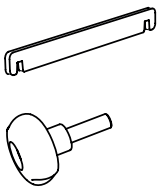


ASSEMBLY: MANUAL REMOTE FEEDING

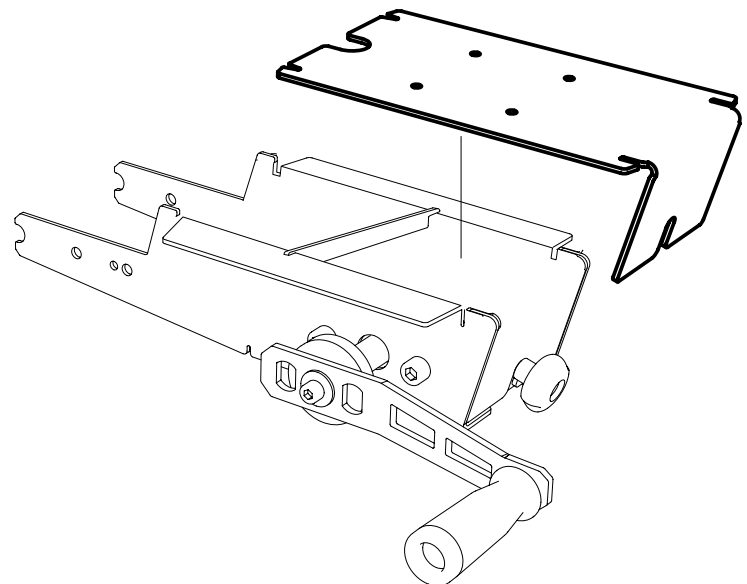
4



5



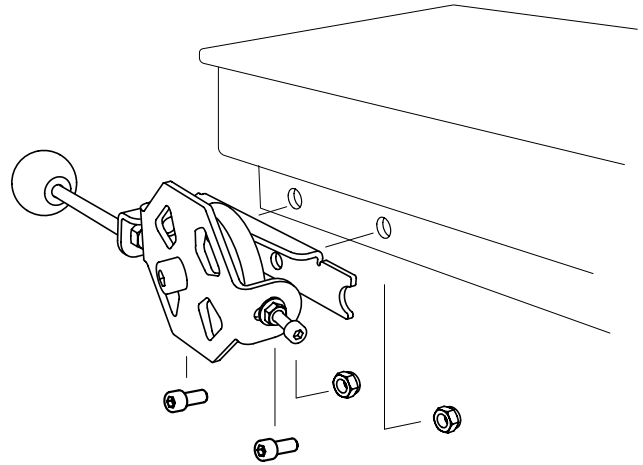
6



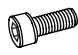

ASSEMBLY: MANUAL REMOTE FEEDING

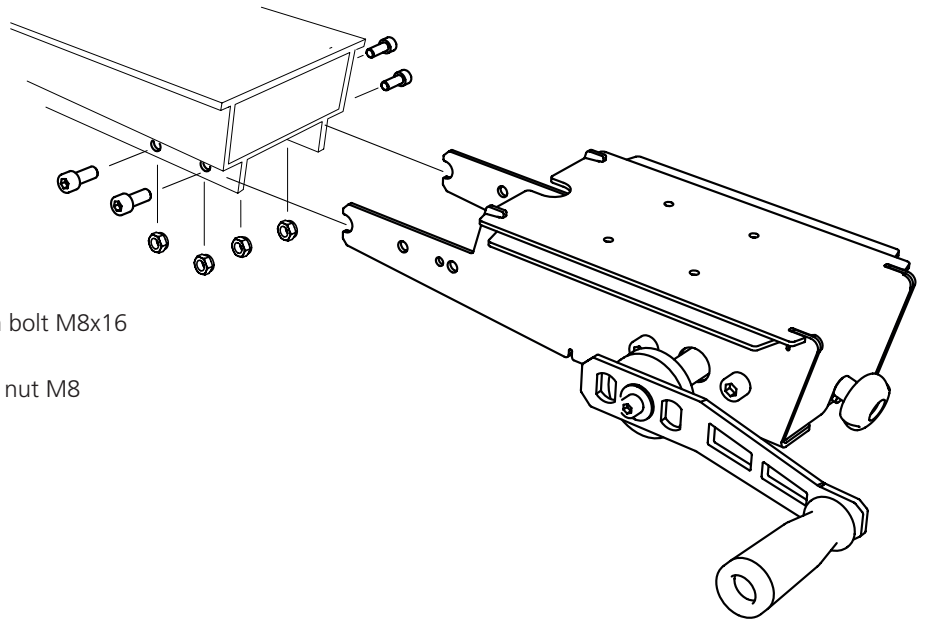
7

-  — 2 x — Allen bolt M8x16
-  — 2 x — Lock nut M8

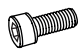


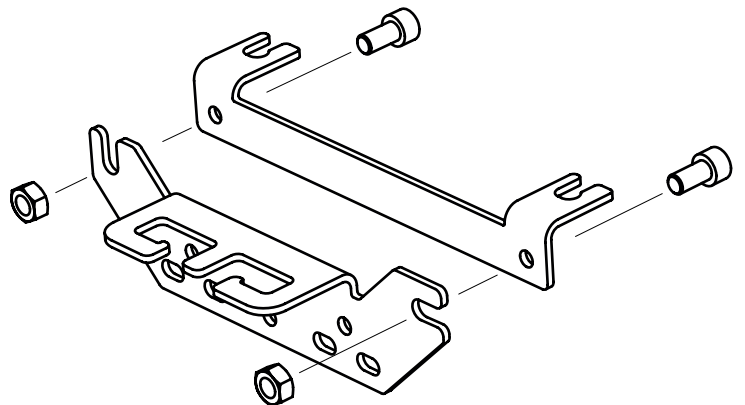
8

-  — 2 x — Allen bolt M8x16
-  — 2 x — Lock nut M8



9

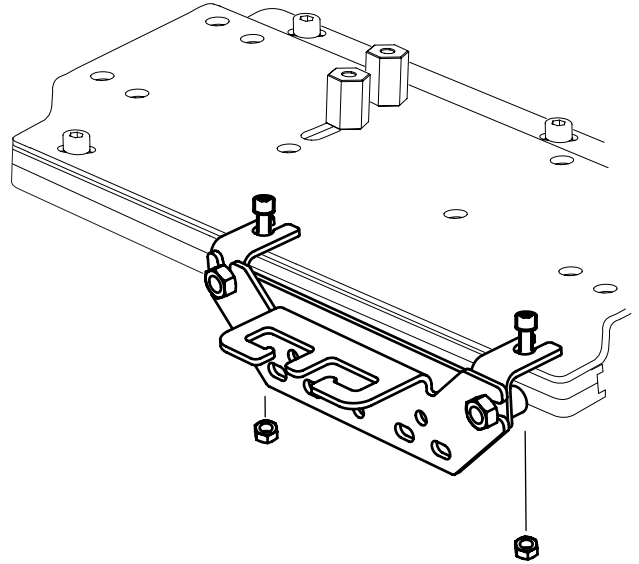
-  — 2 x — Allen bolt M8x16
-  — 2 x — Hex nut M8



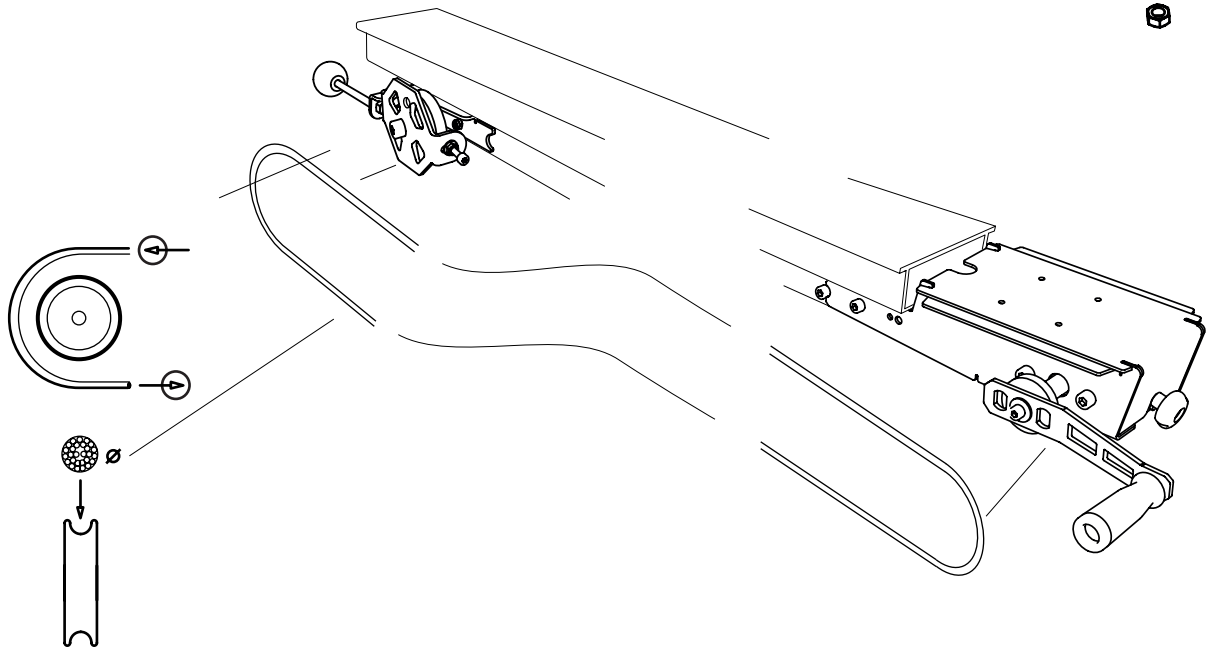
ASSEMBLY: REMOTE FEEDING ON CHAINSAW CARRIAGE

10

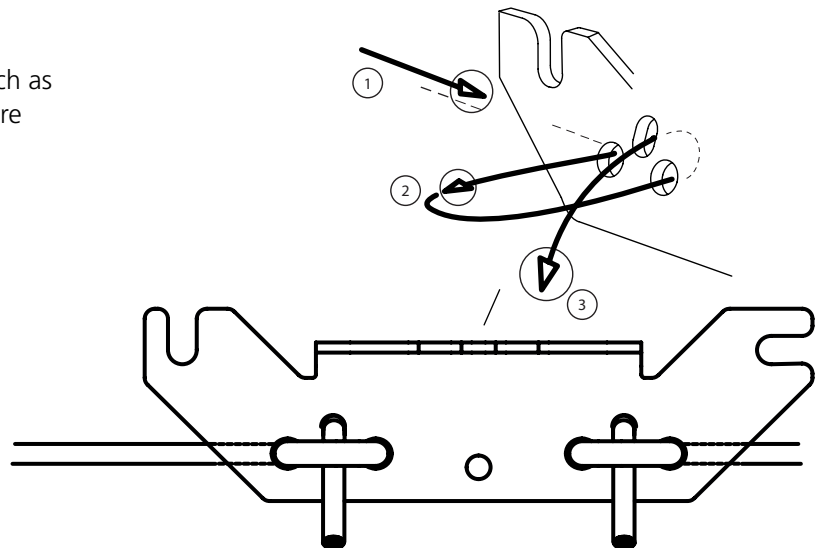
-  — 2 x — Allen bolt M8x16
-  — 2 x — Hex nut M8



11

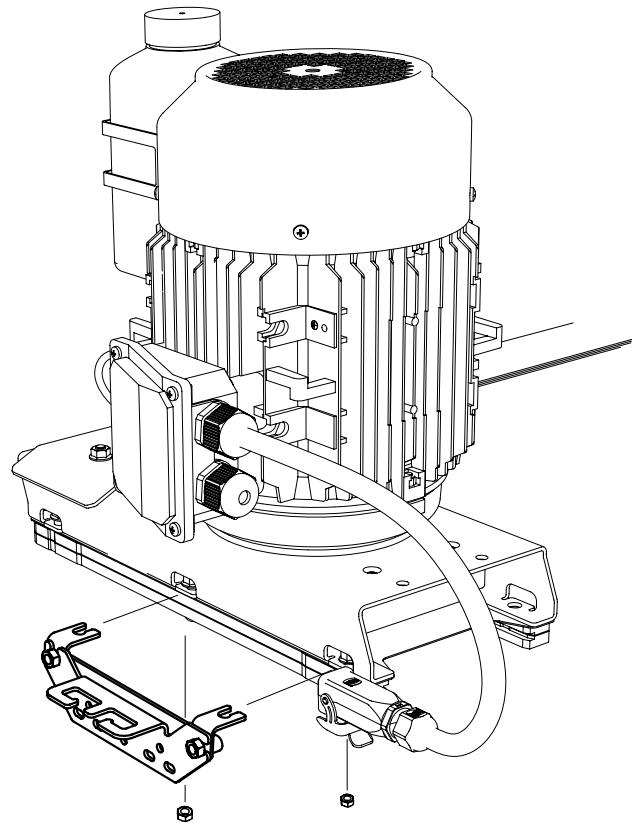


Tip: Be sure to tighten the wire as much as possible before securing it to in the wire mount.



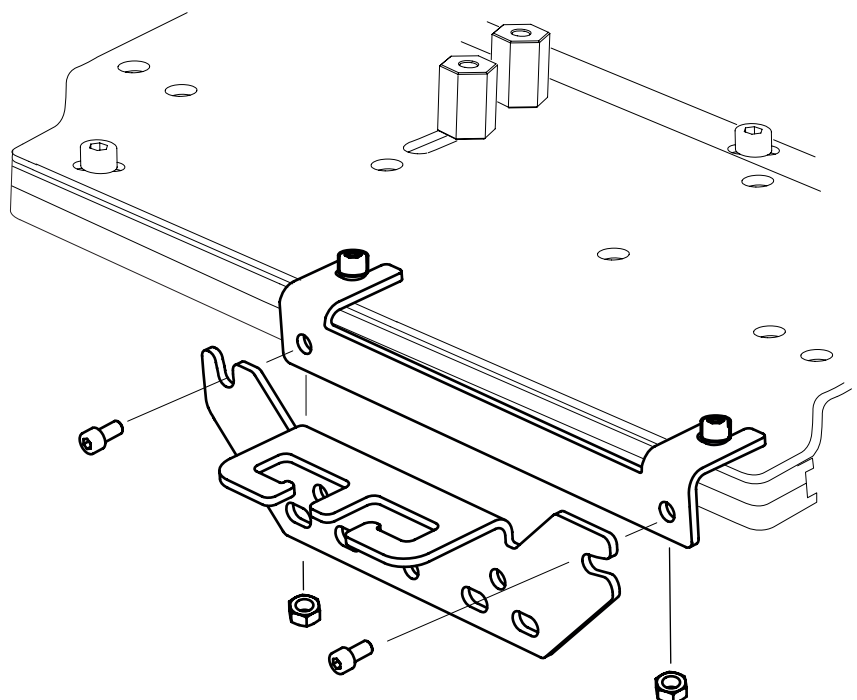
ASSEMBLY: REMOTE FEEDING ON ELECTRIC SAW CARRIAGE

Install the wire mount on the ELECTRIC SAW. The assembly is carried out by using the existing bolt joints in the saw carriage.



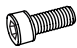
FUNCTIONS:

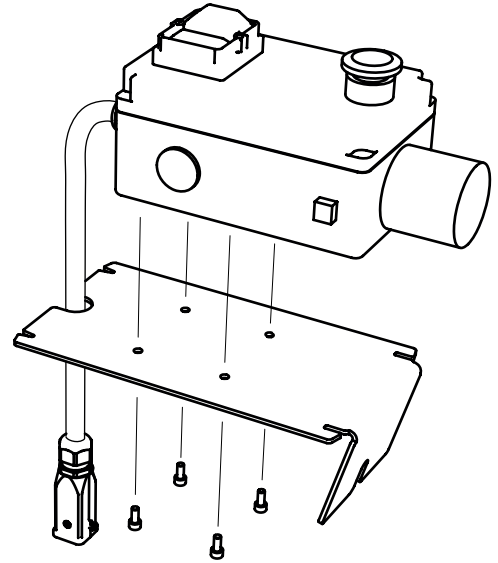
To facilitate maintenance on the saw unit, the wire mount can be removed from the saw carriage without loosening the wire tension.



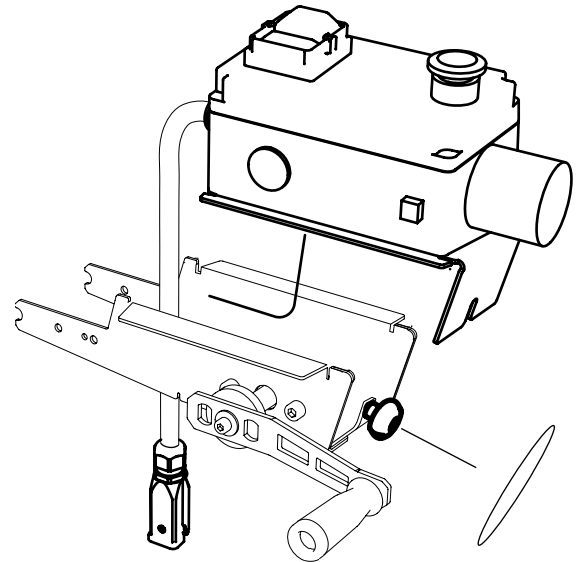
FUNCTIONS:

When the ELECTRIC SAW is used together with the manual remote feeding, the switch box should be mounted on the top plate of the manual remote feeding.

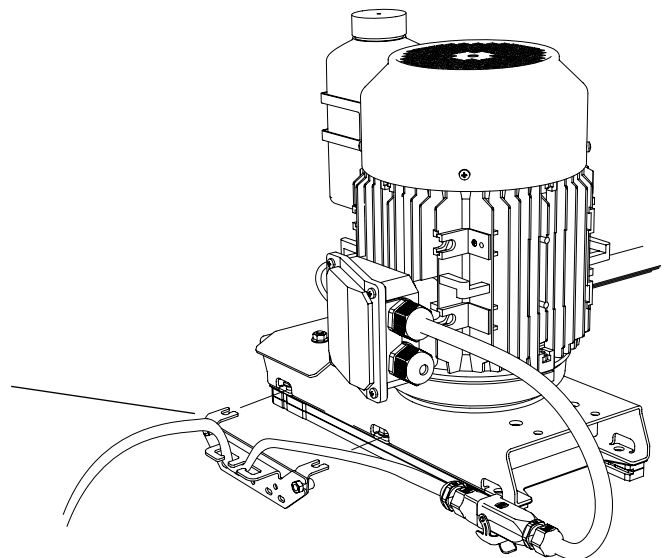
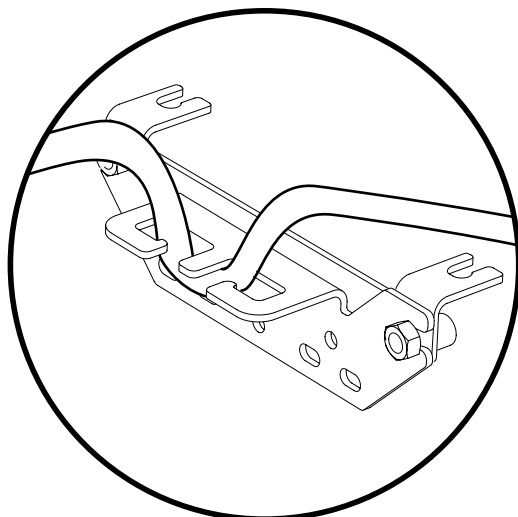
 — 4 x — Allen bolt M5x12



The top plate of the manual remote feeding can be removed to allow for storage of the switch box when it is not being used.



When the manual remote feeding is used together with the electric saw, it is recommended that you fit the cable of the saw unit to the wire mount on the wire bracket.

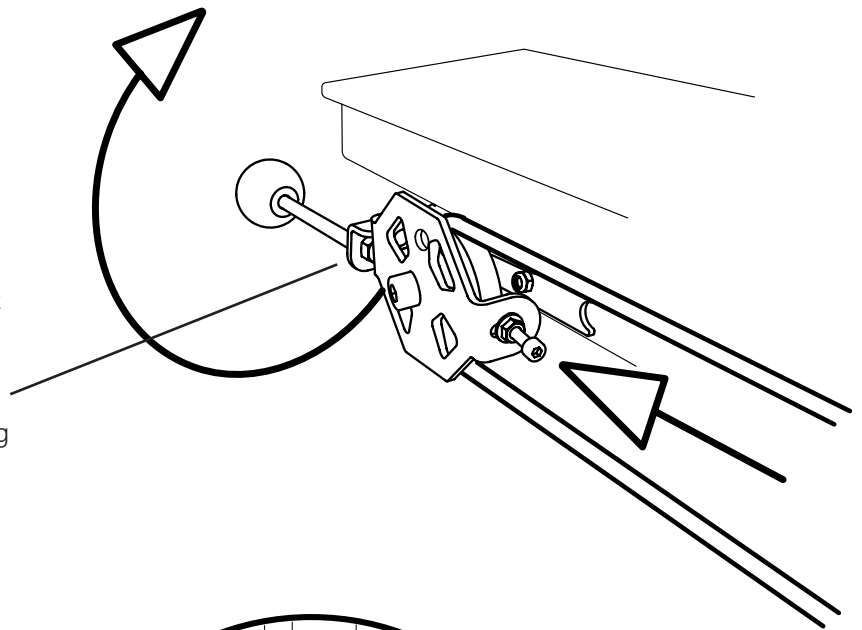


FUNCTIONS:

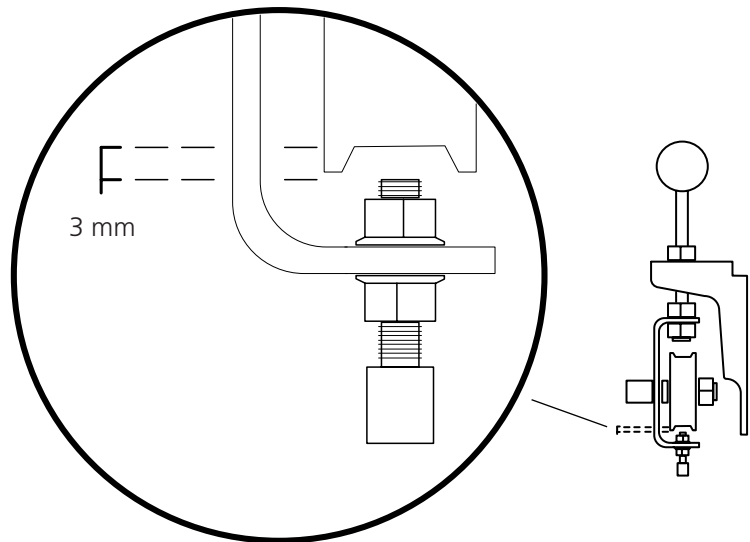
Tighten the feed wire just enough to prevent the saw unit from slipping when it is being fed through the log.

To be able to adjust the tension, you have to loosen the counter nut of the tensioning mechanism.

After completing the adjustment, be sure to re-tighten the counter nut.



Adjust the groove-clearing bolt so that the distance to the pulley is approx. 3 mm.





Fiskaregatan 2, 871 33 Härnösand, Sweden
+46 611 182 85 | info@logosol.com | www.logosol.com